

PRIMARY INDUSTRIES

- Automotive Manufacturing
- Pulp and Paper
- Mining
- Powder Coating
- Wood Products Manufacturing
- Gypsum Wall Board
- Primary Metals
- Ceiling Tile Manufacturing

ADDITIONAL APPLICATIONS

- OSB Dryers
- Veneer Dryers
- Fiber Board Dryers
- Plywood Dryers
- MDF Dryers
- Wafer Board Dryers
- Flak Dryers
- Gypsum Wall Board Dryers
- Food Handling Conveyors
- Monorail Conveyors
- Enclosed Track Conveyors
- Roller Chain
- Apron Conveyors
- Pin Chain
- In-floor Conveyors
- Bail Conveyors
- Elevators
- Escalators
- Other custom and special applications



MICRO-LUBE Inc.

2620 Regatta Drive, Suite 102
Las Vegas, NV 89128 USA

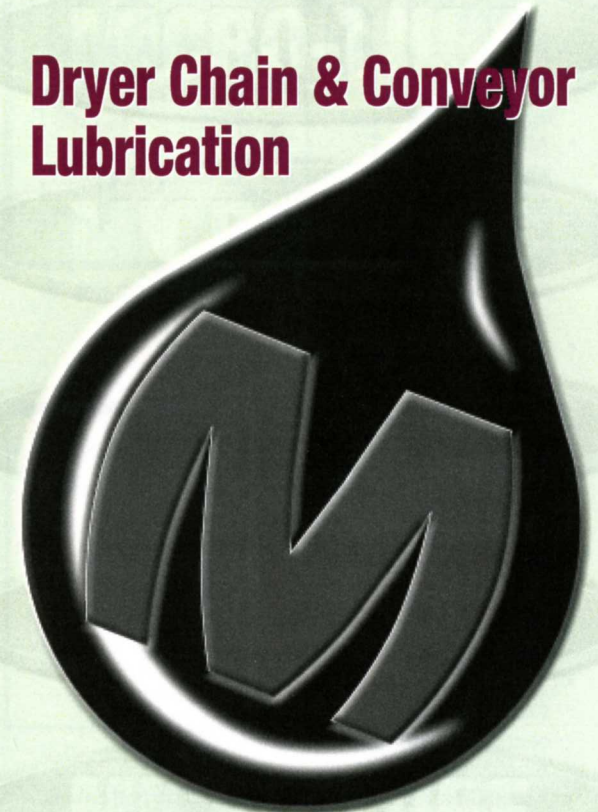
Phone 1-888-293-1763

Fax 1-877-454-8690

Dealer Representative:

TOTAL LUBRICATION MANAGEMENT

Dryer Chain & Conveyor Lubrication



MICRO-LUBE

• Equipment • Service • Lubricants

Reduced Wear + Reduced Equipment Failure =
INCREASED PROFITS

MICRO-LUBE Inc.

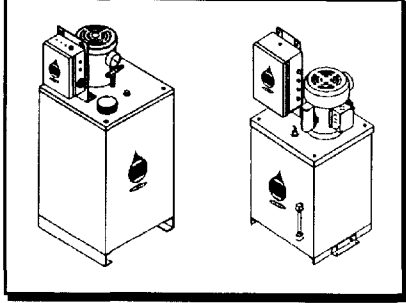
1-888-293-1763

Fax 1-877-454-8690

www.micro-lube.com

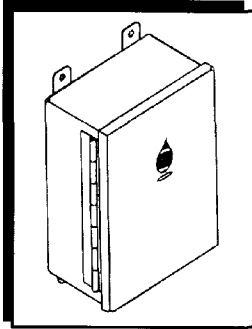
Equipment

"Centralized Systems Approach"



- Allows for several different lubricating applications to be adequately serviced by one central pumping station and reservoir.
- Available in 12 and 55 gallon capacities.

Micro Controllers



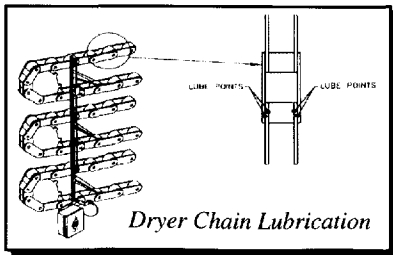
Micro Controller

- User friendly key pad for inputs
- 2 line digital display menu
- Warning lights
- Custom programming on count inputs or machine running time
- The ability to lubricate several different applications while utilizing one micro controller

Brush Cleaning Systems

- Motorized and non-motorized
- Prevents build-up of paint, rust, chemicals and particulate
- Available for all types of chain conveyors

Information available upon request



Dry Chain Lubrication

Micro-Lubricants

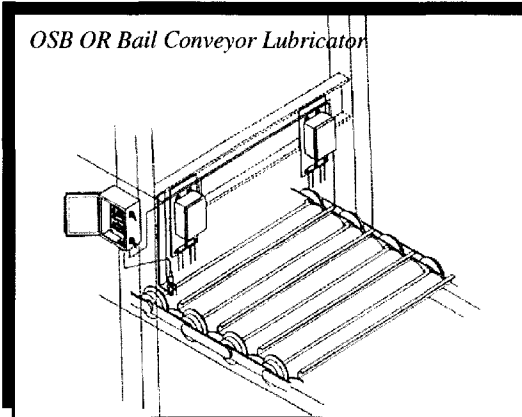
A-70, A-80, GL-75, GL-80

Micro-lubes are heavy-duty, extreme-pressure and anti-wear chain lubricant designed for use on all types of conveyors. These lubricants have superior lubrication properties over a wide temperature range (-65°F to 700°F). Micro-lubes are designed to provide excellent corrosion protection and water displacing properties over conventional type chain/conveyor lubricants. In addition to its corrosion prevention properties, this lubricant also has a high tolerance for acidic environments.

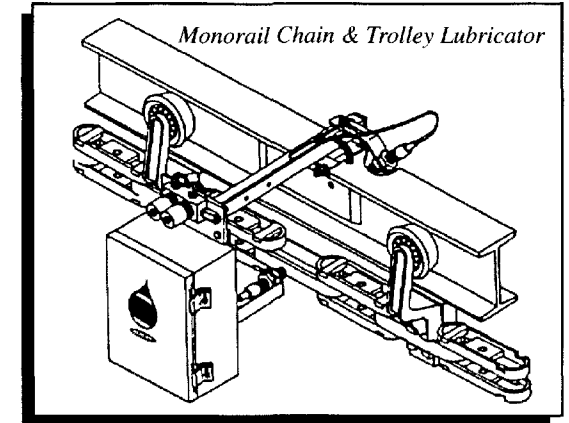
Micro-lubes are a thin-dry film type lubricant. When applied, it cleans off grease, extraneous oils and carbon build-up. The high wetting characteristics allow this lube to penetrate further than most lubes, allowing the target area to be well lubricated.

Micro-lubes have been formulated to provide the proper amount of penetration and dispersment without allowing the lubricant to drip off the chain conveyor. Micro-lubes leave a micro film of lubricating moly which have a film strength in excess of 100,000 PSI.

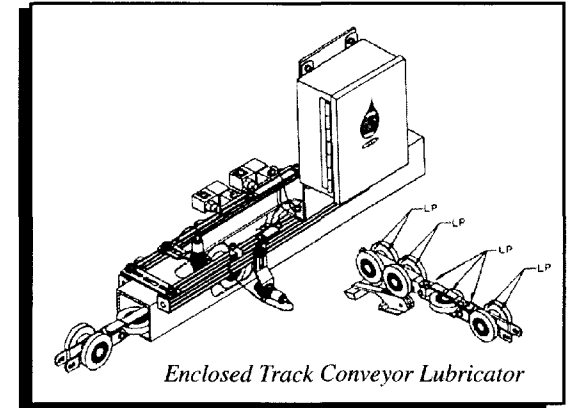
Technical and material safety data sheets available.



OSB OR Bail Conveyor Lubricator



Monorail Chain & Trolley Lubricator



Enclosed Track Conveyor Lubricator

Service

Micro-Lube believes in taking a pro-active approach to equipment maintenance. Our goal is to provide the end user with a lubricated system that is maintenance free. Our Sales and service technicians will provide your personnel with regular on-site training and equipment inspections, provide you with documented service reports and recommendations and the necessary repairs and adjustments for optimal lubricating performance.

** One year warranty on equipment and labour.*

Other Equipment Available

- Airline filtration equipment
- Oil based and water based filtration systems
- Automatic greasing and oiling systems